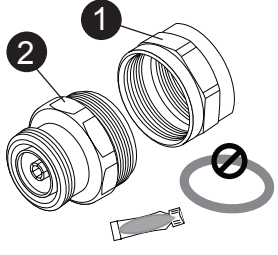
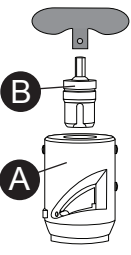
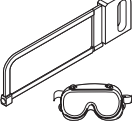





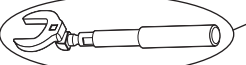
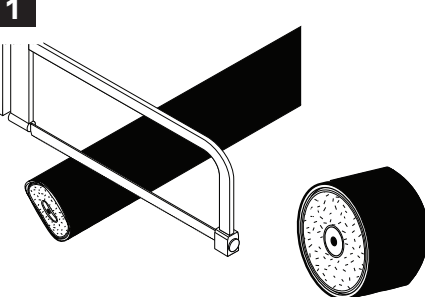
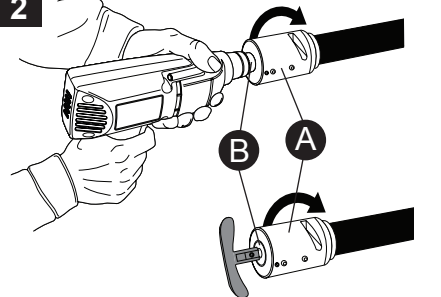
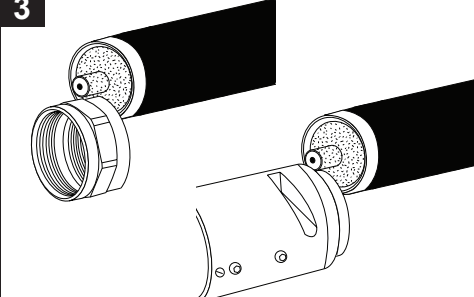


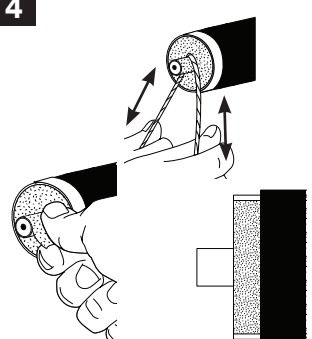
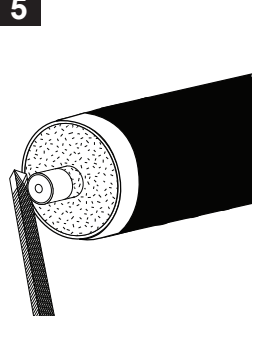
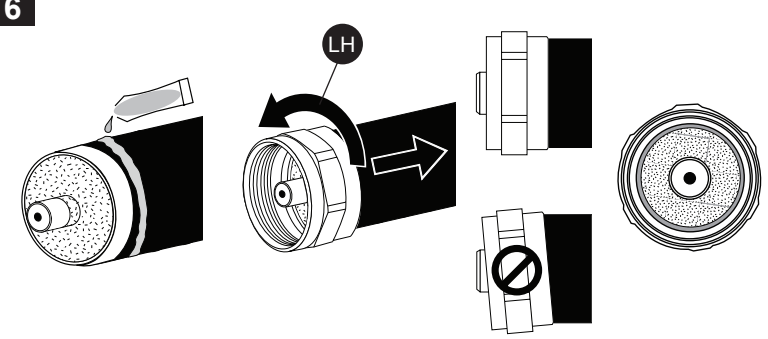
# Installation Instructions

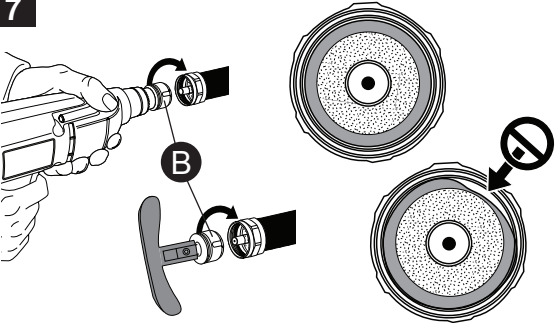
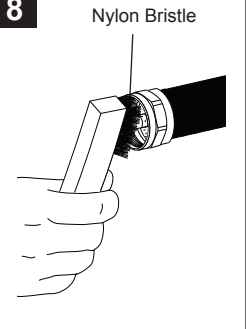
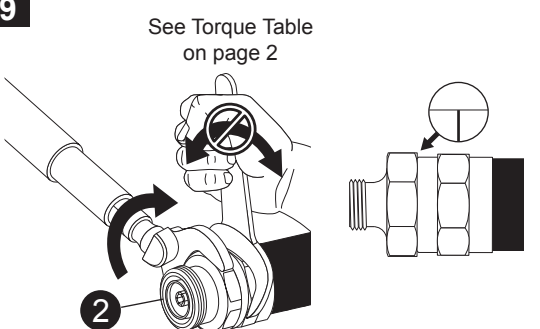
## 540, 780, 1480 and 1873 EZfit® Series Connectors for HELIAX® SFX, FXL Cables - Drill Tool

Andrew Institute offers installation training.

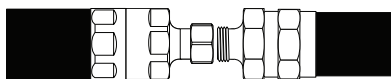
		540-EZPT	  		12EZ*series	20 mm	 
		780-EZPT			78EZ*series	34 mm	
1480-EZPT	114EZ*series	1 3/4"					
1873-EZPT	158EZ*series	60 mm					
					12EZ*series	TW-12-EZFC	20 mm
					78EZ*series	TW-78-EZFC	34 mm
					114EZ*series	TW-114-EZFC	1 3/4"
					158EZ*series	TW-158-EZFC	60 mm

		
---	---	--

		
--	--	---

		
---	---	--

DIN 18-22 lb-ft (25-30 N•m)  
N 15-20 lb-ft (1.7-2.3 N•m)



表一 有毒有害物质或元素名称及含量标识格式

部件名称 (Part Name)	有毒有害物质或元素					
	铅 (Pb)	汞 (Hg)	镉 (Cd)	六价铬 (Cr6+)	多溴联苯 (PBB)	多溴二苯醚 (PBDE)
连接器 (Connector)	X	O	O	O	O	O

O: 表示有毒有害物质在该部件所有的均质材料中的含量均在SJ/T 11363-2006规定的限量要求以下。  
X: 表示该有毒有害物质至少在该部件的某一均质材料中的含量超出SJ/T 11363-2006规定的限量要求。

Patent number: 7,419,403

Notice: Andrew disclaims any liability or responsibility for the results of improper or unsafe installation, inspection, maintenance, or removal practices.  
 Aviso: Andrews no acepta ninguna obligación ni responsabilidad como resultado de prácticas incorrectas o peligrosas de instalación, inspección, mantenimiento o retiro.  
 Avis : Andrew décline toute responsabilité pour les conséquences de procédures d'installation, d'inspection, d'entretien ou de retrait incorrectes ou dangereuses.  
 Hinweis: Andrew lehnt jede Haftung oder Verantwortung für Schäden ab, die aufgrund unsachgemäßer Installation, Überprüfung, Wartung oder Demontage auftreten.  
 Atencão: A Andrew abdica do direito de toda responsabilidade pelos resultados de práticas inadequadas e sem segurança de instalação, inspeção, manutenção ou remoção.  
 Avvertenza: Andrew declina eventuali responsabilità derivanti dall'esecuzione di procedure di installazione, ispezione, manutenzione e smontaggio improprie o poco sicure.  
 注意: Andrew 公司申明對於不恰當或不安全的安裝、檢驗、維修或拆卸操作所導致的後果不負責任 何義務和責任

# Installation Instructions

## 1/2", 7/8", 1 1/4" and 1 5/8" EZfit® Series Connectors for HELIAX® AVA Cables - Drill Tool

Andrew Institute offers installation training.

A4-EZPT				12EZ*series	20 mm
A5-EZPT				78EZ*series	34 mm
A6-EZPT				114EZ*series	1 3/4"
A7-EZPT				158EZ*series	60 mm

12EZ*series	TW-12-EZFC	20 mm
78EZ*series	TW-78-EZFC	34 mm
114EZ*series	TW-114-EZFC	1 3/4"
158EZ*series	TW-158-EZFC	60 mm

#18 Masonry String

See Torque Table below

DIN 18-22 lb-ft (25-30 N•m)  
N 15-20 lb-ft (1.7-2.3 N•m)

Torque Table		
Ezfit™ Family	Clamping Torque Value (MIN)	Unit
1/2" 12EZ*	20 MIN-22 MAX (27 MIN-30 MAX)	lb-ft (N•m)
7/8" 78EZ*	25 (34)	lb-ft (N•m)
1 1/4" 114EZ*	42 (57)	lb-ft (N•m)
1 5/8" 158EZ*	55 (75)	lb-ft (N•m)

Patent number: 7,419,403

### Andrew Wireless Solutions

#### Customer Service 24 hours

U.S.A., Canada, Mexico:  
for HELIAX® AVA Cables call 1-800-255-1479  
for HELIAX® SFX, FXL Cables call 1-888-235-5732  
U.K.: 0800 250055 Brazil: +55-15-2102-4000  
Other Europe: +44 592 782 612

www.commscope.com

Visit our Web site at www.commscope.com or contact your local Andrew Wireless Solutions representative for more information.

© 2008 CommScope, Inc. All rights reserved.  
Andrew Wireless Solutions is a trademark of CommScope. All trademarks identified by ® or ™ are registered trademarks or trademarks, respectively, of CommScope. This document is for planning purposes only and is not intended to modify or supplement any specifications or warranties relating to Andrew Wireless Solutions products or services.

